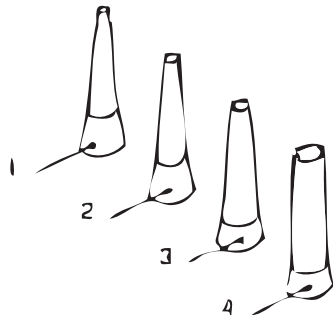
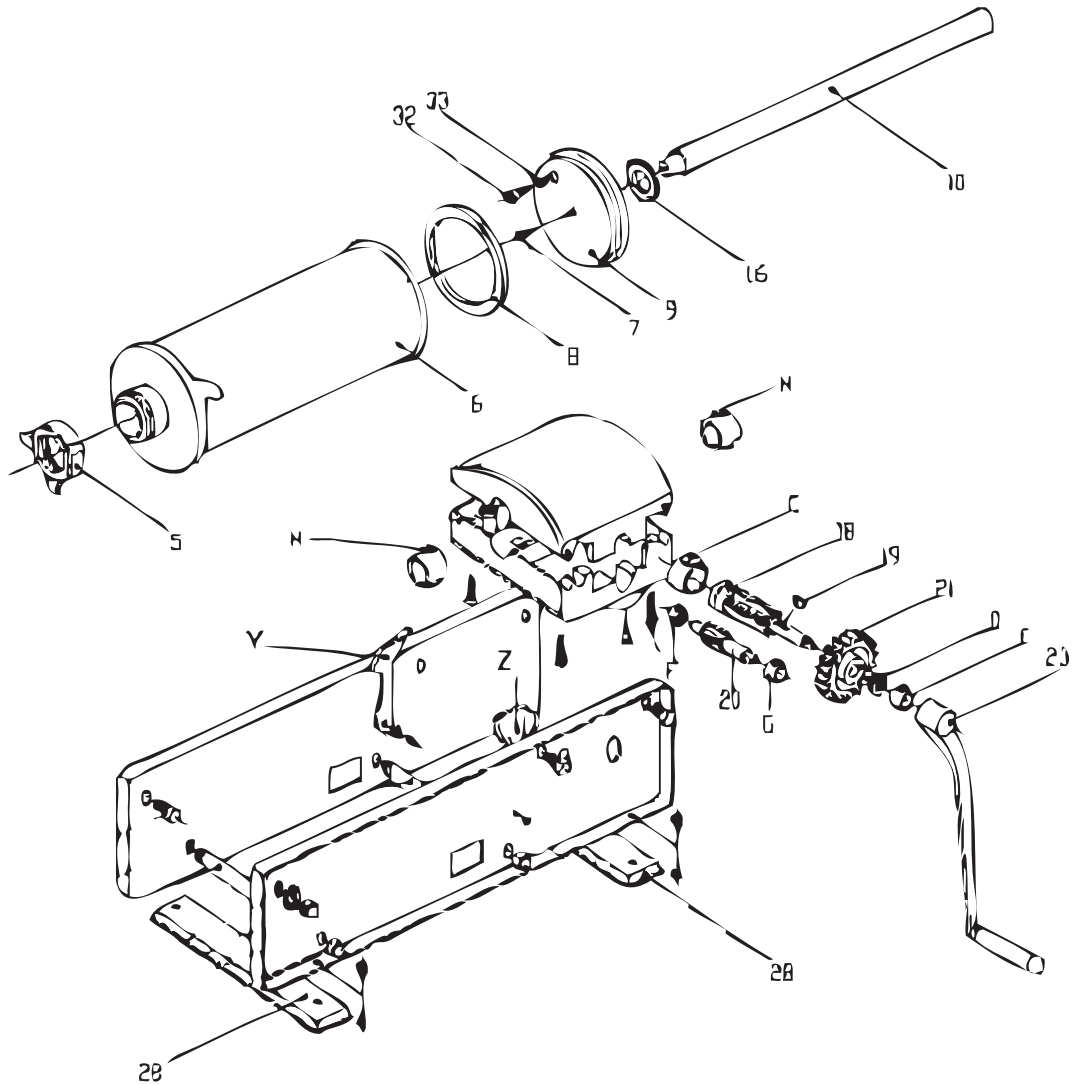


Parts Breakdown

Item 13737



$$32+33= 132$$

$$8+9= 108$$

$$Y+Z= 13$$

$$C+D+E+F+G+H=44$$

Parts Breakdown

Item 13737

Item No.	Description	Position	Item No.	Description	Position	Item No.	Description	Position
10124	Plastic Stuffer Spout 10mm for 13737	1	15274	Gasket Silicone for 13737	8	15278	Reducer Wheel for 13737	21
10125	Plastic Stuffer Spout 20mm for 13737	2	27634	Rack for 13737	10	15272	Handle for 13737	23
10126	Plastic Stuffer Spout 30mm for 13737	3	AD705	Cylinder Holder for 13737	13	27642	Foot for 13737	28
10127	Plastic Stuffer Spout 40mm for 13737	4	27636	Washer between Rack and Piston for 13737	16	21177	Bushing Kit Plastic for 13737	44
15279	Screw Ring for 13737	5	15277	Rack Controlling Shaft for 13737	18	15280	Piston and Gasket for 13737	108
27621	Complete Cylinder for 13737	6	21594	Key for 13737	19	15313	Air Valve and Spring for 13737	132
15285	Piston Screw for 13737	7	15276	Pinion for 13737	20	72256	Complete Gear Block for 13737	